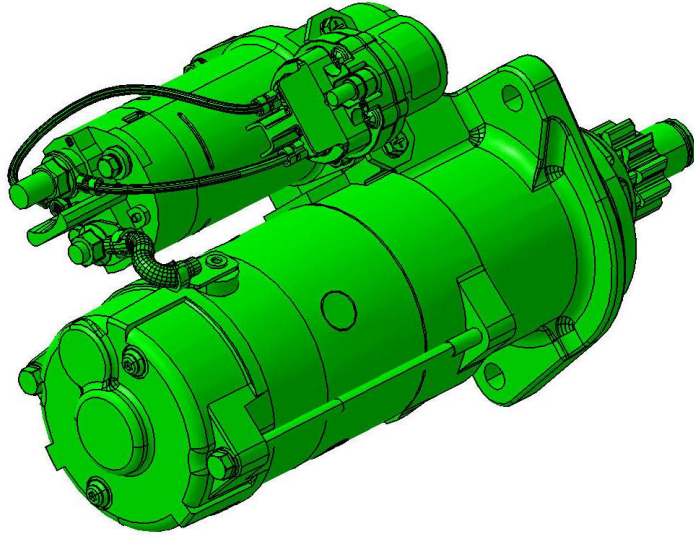


RELEASE NUMBER	REV LTR	REVISION DESCRIPTION	BY	DATE	APPD
P37651-01	A	INITIAL RELEASE	MDP	04/30/09	EPR
P40010-01	B	STARTER PN WAS TBBN159135	MDP	05/10/10	EPR



DELIVERY MUST CONFORM EXACTLY WITH DRAWING SPECIFICATIONS AND, WHERE REQUIRED BY Q.A., WITH APPROVED Q.A. SAMPLES. ABSOLUTELY NO CHANGES ARE PERMITTED WITHOUT PRIOR APPROVAL BY DTNA. THIS INCLUDES CHANGES TO: SOFTWARE, MATERIALS, INTERNAL COMPONENTS, MANUFACTURING PROCESSES.

1 TORQUE FASTENERS TO 38 +/- 5 ft-lbs DYNAMIC
44 +/- 5 ft-lbs STATIC

2 M10 X 1.5 FASTENERS AND WASHERS
SUPPLIED WITH ENGINE

ITEM NUMBER TBBN159776	DESCRIPTION INSTL-STARTER 29MT	DAIMLER		Daimler Trucks North America	
		THE INFORMATION CONTAINED HEREIN IS PROPRIETARY DATA, AND IS NOT FOR DISSEMINATION OR DISCLOSURE, IN WHOLE OR IN PART, FOR ANY PURPOSE OTHER THAN THAT FOR WHICH IT IS SUBMITTED, EXCEPT AS AUTHORIZED IN WRITING BY DAIMLER TRUCKS NORTH AMERICA LLC (DTNA)			
		MATERIAL APPROVAL E. REYNOLDS	DATE 04/30/09	UNLESS OTHERWISE NOTED, DIMENSIONS AND TOLERANCES ARE DEFINED ACCORDING TO ASME Y14.5M-1994, WITH EXCEPTION PER DTNA 09ENG-WI037	
		DRAWN BY M. PHILLIPS	DATE 04/30/09		
		CHECKED BY J. MARCUS	DATE 04/30/09		
RESPONSIBLE ENGINEER M. PHILLIPS	DATE 04/30/09				
APPROVED BY E. REYNOLDS	DATE 04/30/09	THIRD ANGLE PROJECTION	UNITS OF MEASURE MM		
DESCRIPTION INSTL-STARTER 29MT					
SUPPLEMENTAL DESCRIPTION 155A1					
ITEM/DRAWING NUMBER TBBN159776		REVISION LETTER B		PAGE 1 of 3	

