


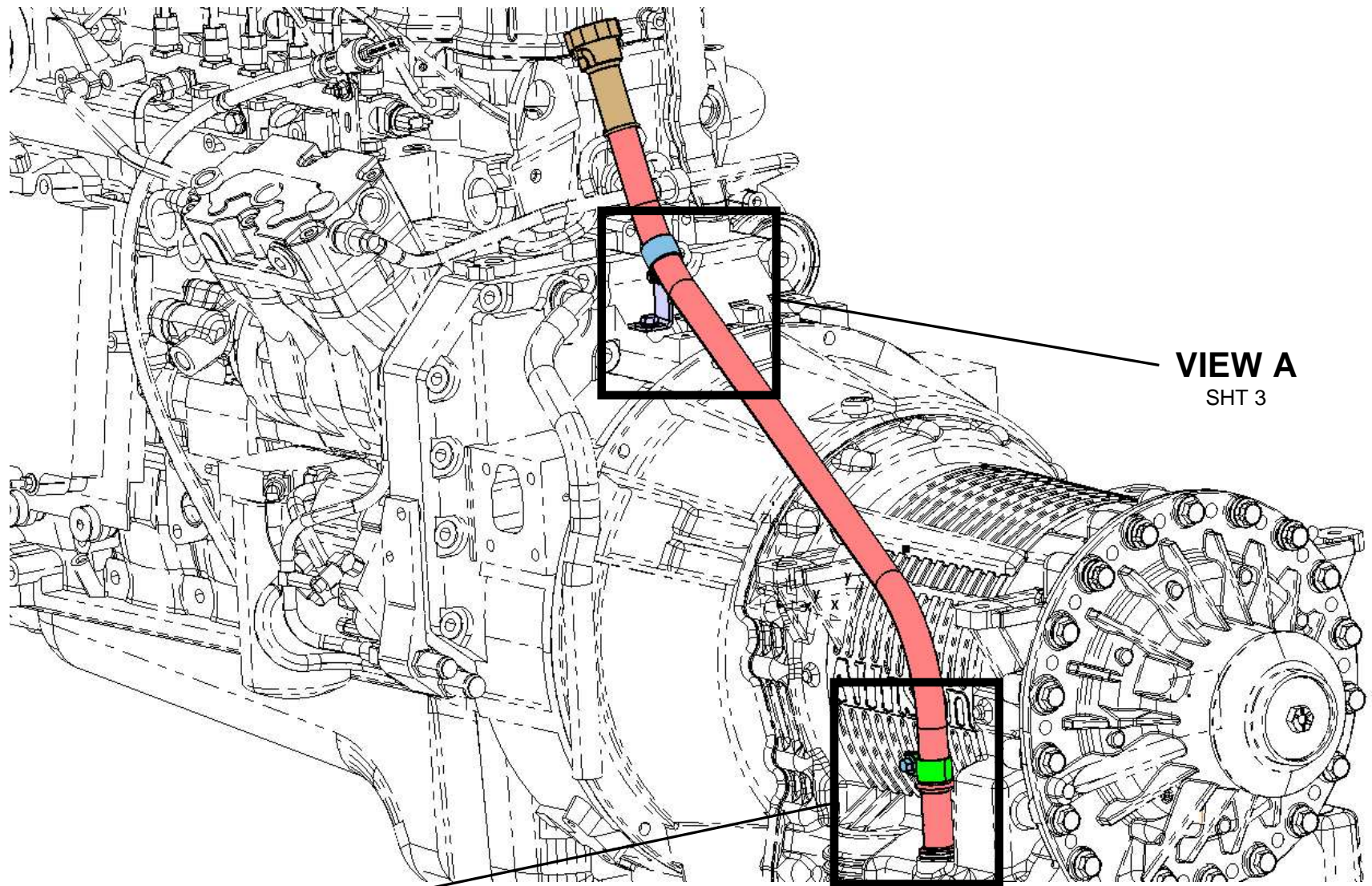
CR/ECR NUMBER	RELEASE NUMBER	REV LTR	REVISION DESCRIPTION	BY	DATE	APPD
CR_F6833-20	P40356-20	A	INITIAL RELEASE	JJW	12/03/10	JPD

1. TORQUE FASTENERS PER SPEC 49-00104 UNLESS OTHERWISE SPECIFIED.
2. INSTALLATION CREATED USING ARRANGEMENT IN SMARAGD. #ARR TBBN170665

MODULE #	DESCRIPTION
346	TRANS DIPSTICK

ITEM NUMBER TBBN170665	DESCRIPTION INSTL-DIPSTICK,3K PTS,EF,EURO IV	<b>DAIMLER</b>		Daimler Trucks North America			
		THE INFORMATION CONTAINED HEREIN IS PROPRIETARY DATA, AND IS NOT FOR DISSEMINATION OR DISCLOSURE, IN WHOLE OR IN PART, FOR ANY PURPOSE OTHER THAN THAT FOR WHICH IT IS SUBMITTED, EXCEPT AS AUTHORIZED IN WRITING BY DAIMLER TRUCKS NORTH AMERICA LLC (DTNA)					
		MATERIAL APPROVAL J.DAVIS	DATE 12/20/10	UNLESS OTHERWISE NOTED, DIMENSIONS AND TOLERANCES ARE DEFINED ACCORDING TO ASME Y14.5M-1994, WITH EXCEPTION PER DTNA 09ENG-WI037		UNITS OF MEASURE Mm	
		DRAWN BY J.WALKER	DATE 12/03/10	THIRD ANGLE PROJECTION 			
		RESPONSIBLE ENGINEER J.BRAZITIS	DATE 12/10/10	CHECKED BY J.BRAZITIS	DATE 12/10/10		
		MFG ENG/PURCH AGENT R.LAWSON	DATE 01/15/11	APPROVED BY J.DAVIS	DATE 12/20/10		
		DESCRIPTION INSTL-DIPSTICK,3K PTS,EF,EURO IV					
		SUPPLEMENTAL DESCRIPTION 346A1					
		ITEM/DRAWING NUMBER TBBN170665			REVISION LETTER A	PAGE 1 of 4	





**VIEW A**  
SHT 3

**VIEW B**  
SHT 3

THE INFORMATION CONTAINED HEREIN IS PROPRIETARY DATA, AND IS NOT FOR DISSEMINATION OR DISCLOSURE, IN WHOLE OR IN PART, FOR ANY PURPOSE OTHER THAN THAT FOR WHICH IT IS SUBMITTED, EXCEPT AS AUTHORIZED IN WRITING BY DAIMLER TRUCKS NORTH AMERICA LLC (DTNA)

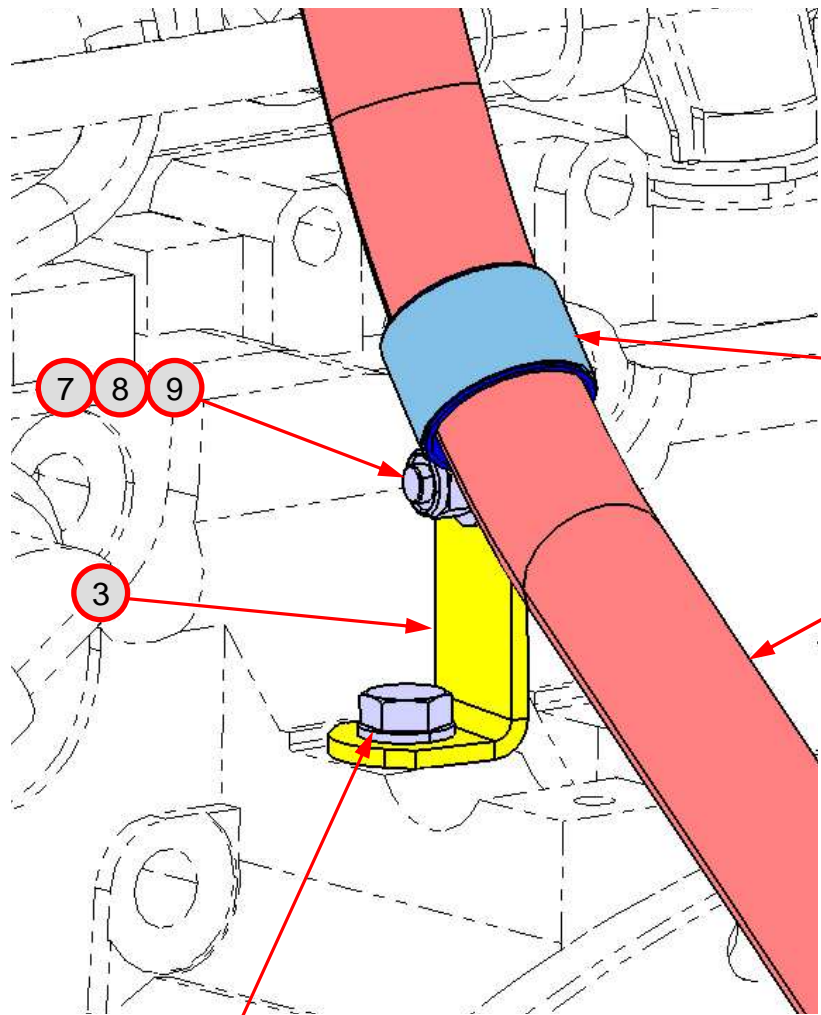
**DAIMLER**

Daimler Trucks  
North America

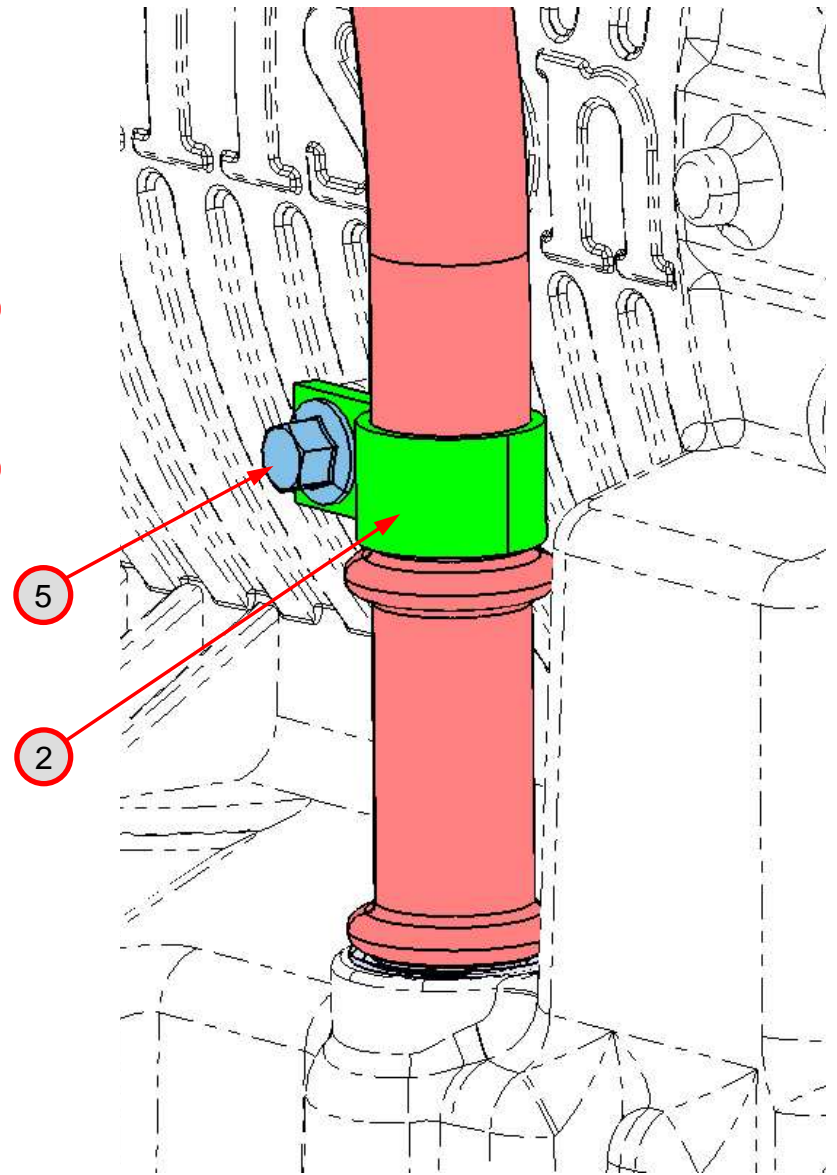
ITEM/DRAWING NUMBER  
TBBN170665

REVISION LETTER  
A

PAGE  
3 of 4



**VIEW A**  
FROM SHT 2



**VIEW B**  
FROM SHT 2