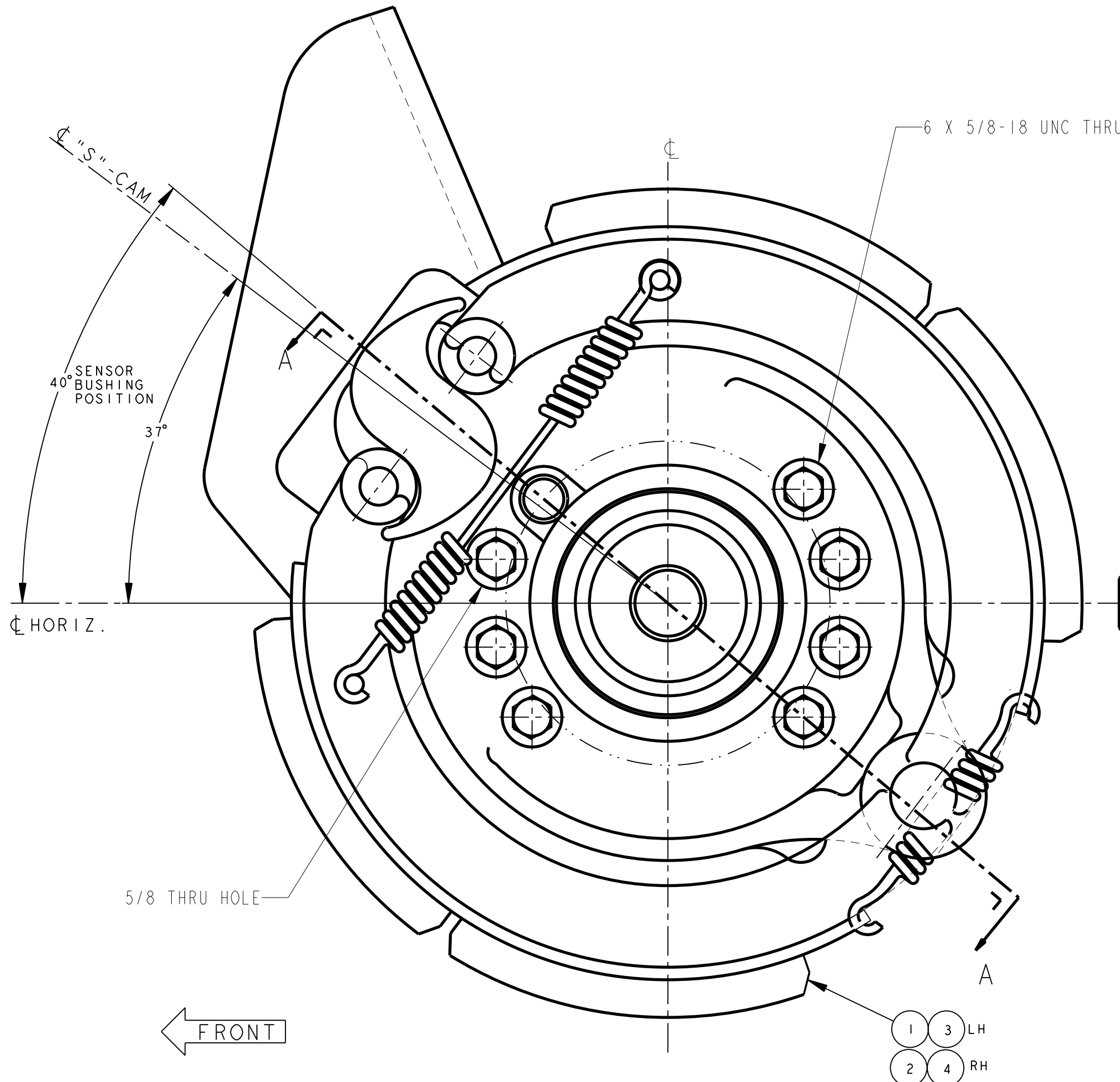
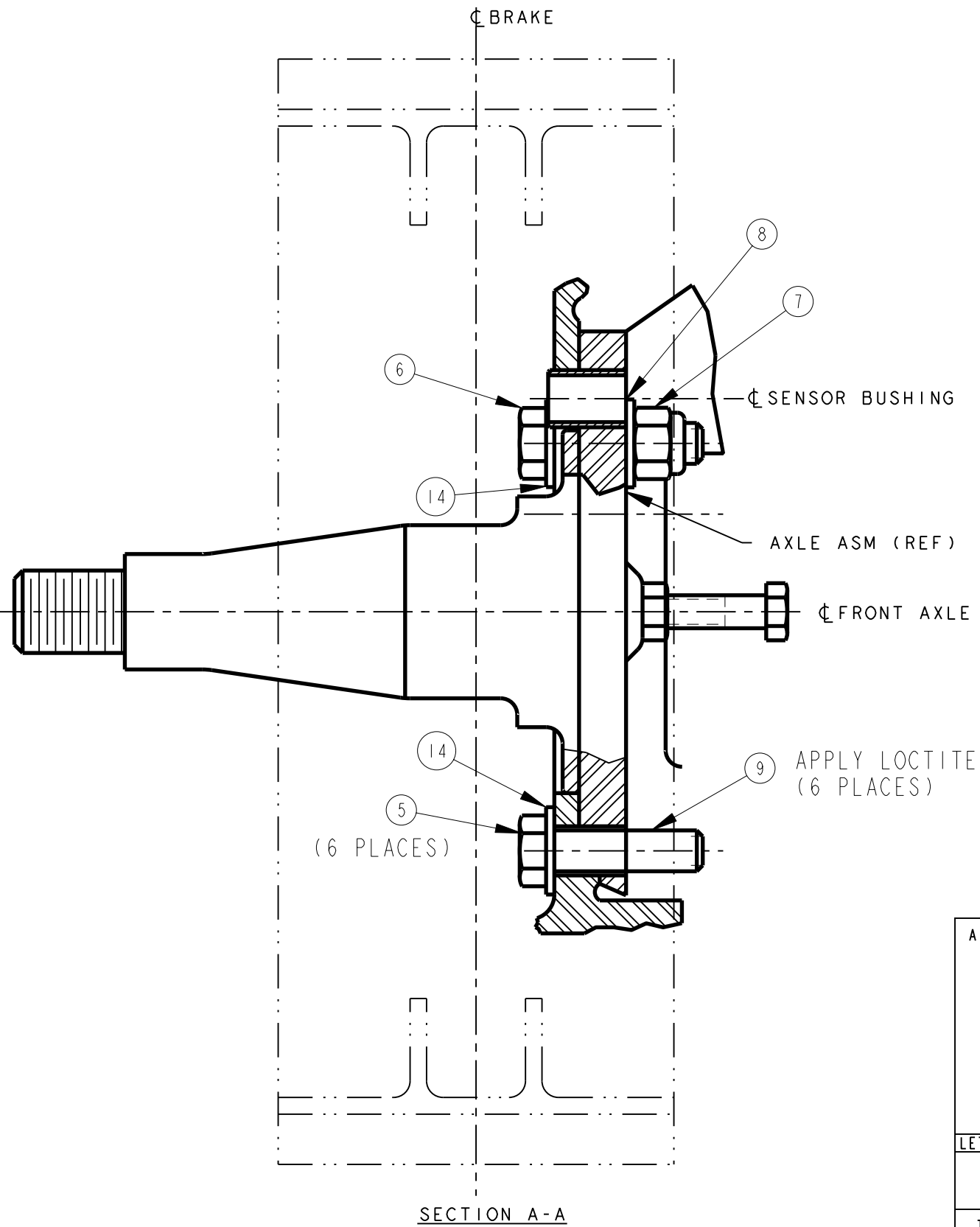


QTY.	QTY.	PART NUMBER	DESCRIPTION	ITEM
-	1	61130978	BRAKE ASM., LH 16 1/2" X 5"	1
-	1	61130979	BRAKE ASM., RH 16 1/2" X 5"	2
1	-	61130980	BRAKE ASM., LH 16 1/2" X 6"	3
1	-	61130981	BRAKE ASM., RH 16 1/2" X 6"	4
12	12	61371423	BOLT, HEX HEAD, 5/8-18 X 1.50, FTL 23-09445-150	5
2	2	61371388	BOLT, HEX HEAD, 5/8-18 X 2.25, FTL 23-09445-225	6
2	2	61371389	LOCKNUT, HEX, 5/8-18, PT, C, FTL-23-13179-210	7
9	9	61371392	WASHER, FLAT, SPL, 5/8", FTL 4011-3472	8
A/R	A/R	61480922	THREAD LOCKER, LOCTITE 272, FTL 48-00094-171	9

16 1/2" X 5" BRAKES - CAST SPIDER  
 16 1/2" X 6" BRAKES - CAST SPIDER



LEFT HAND BRAKE SHOWN



SECTION A-A

NOTES:

1. QTY. COLUMN INDICATES PER AXLE ASM.
2. LEFT HAND (LH) BRAKE ASM. SHOWN
3. TORQUE 5/8-18 BOLTS TO 134-172 FT-LBS.

A		RELEASED REPLACES 62130766			
			10/07/04	MTM	MIG
			53660-1	RDG	
LET	REVISION	DATE	BY	CF	

THOMAS BUILT BUSES, INC.			
HIGH POINT, NC			
TOLERANCE UNLESS OTHERWISE NOTED			
THIRD ANGLE PROJECTION	DECIMAL ± .XXX .015 .XX .06 .X .1	FRACTIONAL ±1/32	ANGULAR ±1°
BRAKE ASM. INSTALLATION, FRONT, MERITOR BRAKES, ABS READY, AAC FRONT AXLES			
DRN. 10/07/04	MTM	MATERIAL: SEE NOTE #1	0+
CK'D 10/07/04	RDG	SIZE	DWG. NO. SHEET 1 OF 1
ENGR/DESIGNER		C	62130786
0.071			

THIS DRAWING AND ALL INFORMATION PROVIDED WITH IT, IS THE PROPERTY OF THOMAS BUILT BUSES, INC. ANY REPRODUCTION OR DISTRIBUTION OF THIS MATERIAL OR ANY PART WITHOUT WRITTEN PERMISSION OF THOMAS BUILT BUSES, INC. IS STRICTLY PROHIBITED. COPYRIGHT © 1997 THOMAS BUILT BUSES, INC.