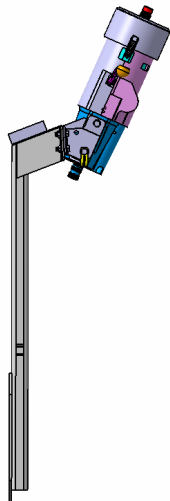


RELEASE NUMBER	REV LTR	REVISION DESCRIPTION	BY	DATE	APPD
P34176-01	F	REDRAWN ON FTL BORDER AND FIXED BOM	K_S	12/05/07	JPD

1. TORQUE FASTENERS PER FTL SPEC 49-00104



ITEM NUMBER	DESCRIPTION	FREIGHTLINER[®] LLC			
		THE INFORMATION CONTAINED HEREIN IS PROPRIETARY DATA, AND IS NOT FOR DISSEMINATION OR DISCLOSURE, IN WHOLE OR IN PART, FOR ANY PURPOSE OTHER THAN THAT FOR WHICH IT IS SUBMITTED, EXCEPT AS AUTHORIZED IN WRITING BY FREIGHTLINER LLC.			
TBB62250587	INSTL-STEERING COLUMN,EF	MATERIAL APPROVAL	DATE	MFG ENG/PURCH AGENT	DATE
		J.DAVIS	12/05/07	M.SMALL	12/05/07
		DRAWN BY	DATE	CHECKED BY	DATE
		K.SHERMAN	12/05/07	D.STAFFORD	12/05/07
RESPONSIBLE ENGINEER	DATE	APPROVED BY	DATE		
K.SHERMAN	12/05/07	J.DAVIS	12/05/07		
DESCRIPTION					
INSTL-STEERING COLUMN,EF					
SUPPLEMENTAL DESCRIPTION					
532A1					
ITEM/DRAWING NUMBER			REVISION LETTER	PAGE	
TBB62250587			F	1 of 4	

ITEM #	FTL PART #	TBB PART #	DESCRIPTION	TILT QTY	FIXED QTY
1	23-13175-106	61370041	NUT,LOCKING,HEX HEAD,3/8-16,GR 8	4	4
2	23-09318-011	61370266	LOCKWASHER,3/8	2	2
3	23-09114-002	61370361	WASHER,FLAT,3/8,SAE GR 8	10	10
4	23-11747-100	61370825	BOLT,HEX HEAD,3/8-16 X 1	4	4
5	23-11748-100	61370829	BOLT,HEX HEAD,3/8-24 X 1	1	1
6	23-11748-125	61370830	BOLT,HEX HEAD,3/8-24 X 1-1/4	1	1
7	23-11357-012	61480470	CLAMP,LOOP,CUSHIONED	1	1
8	TBB62250586	62250586	SUPPORT ASSY,STEERING COLUMN	1	1
9	TBB62320470	62320470	SEAL, STEERING COLUMN	1	1
10	TBB62320607	62320607	INSULATION,STEERING COLUMN TOP	2	2
11	TBBN137978	137978	STEERING COLUMN ASSY,TILT	1	-
12	TBB133154	133154	STEERING COLUMN ASSY,FIXED	-	1

ITEM/DRAWING NUMBER

TBB62250587

REVISION LETTER

F

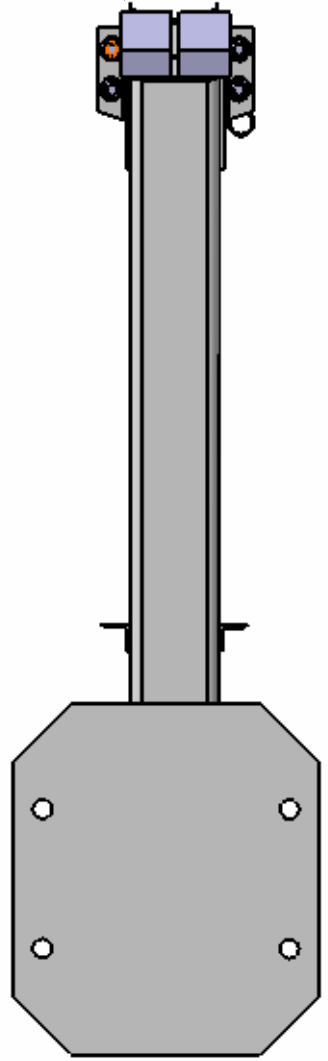
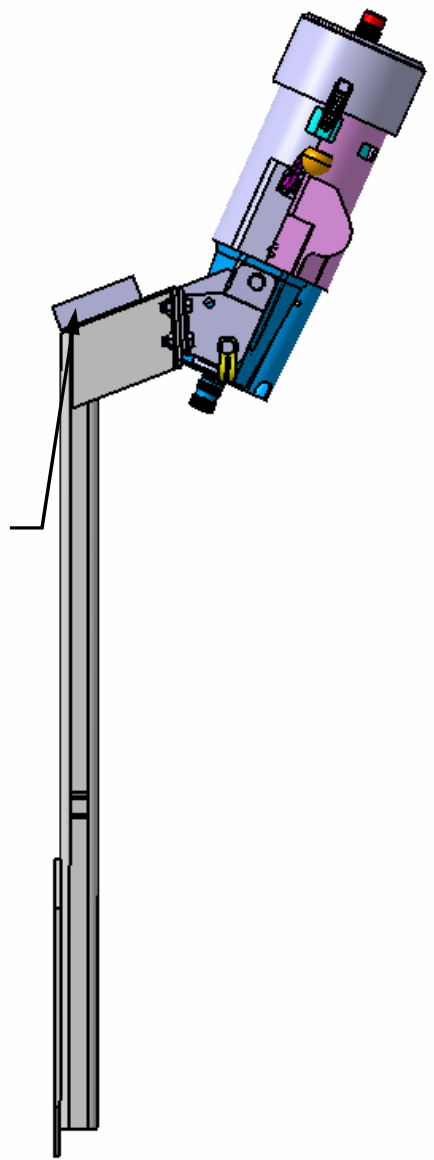
PAGE

2 of 4

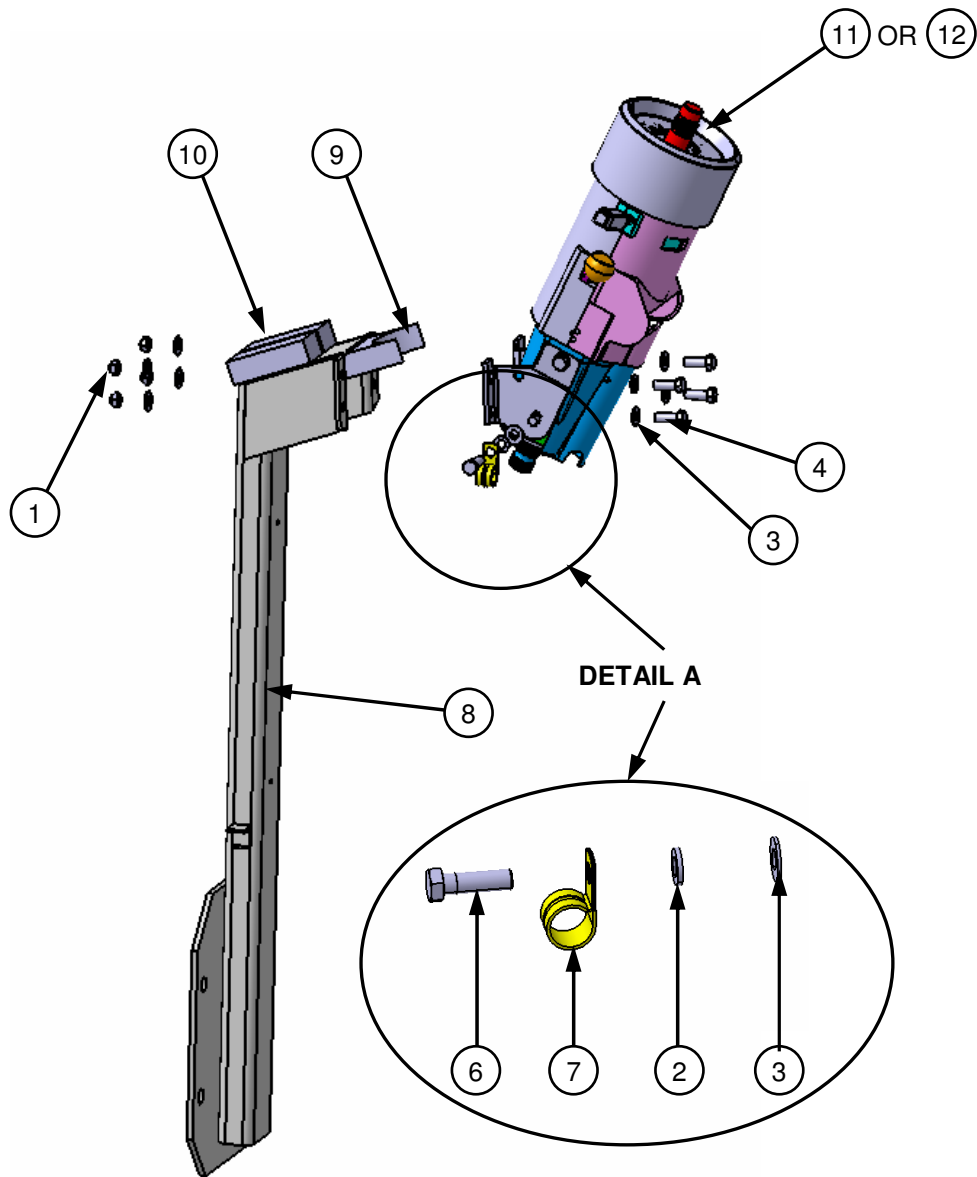
STEERING COLUMN NOT SHOWN FOR CLARITY



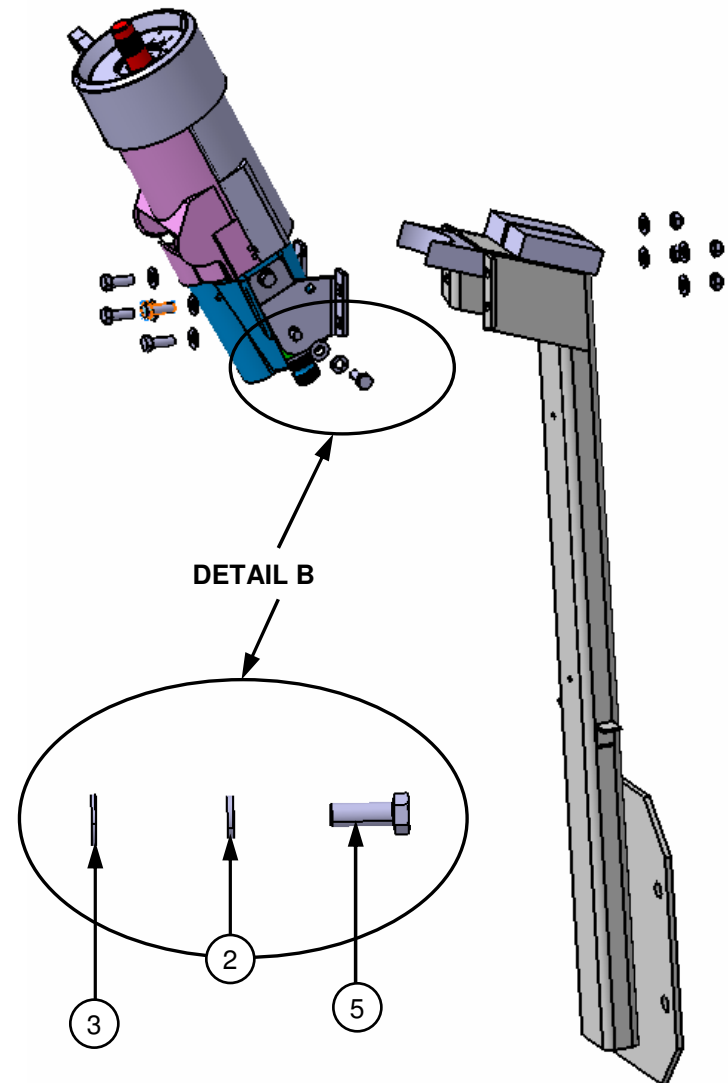
ALIGN EDGE OF TOP INSULATION WITH FRONT SURFACE OF TUBE



ITEM/DRAWING NUMBER TBB62250587	REVISION LETTER F	PAGE 3 of 4
------------------------------------	----------------------	----------------



VIEW FROM LEFT SIDE OF BUS



VIEW FROM RIGHT SIDE OF BUS

ITEM/DRAWING NUMBER TBB62250587	REVISION LETTER F	PAGE 4 of 4
---	-----------------------------	-----------------------