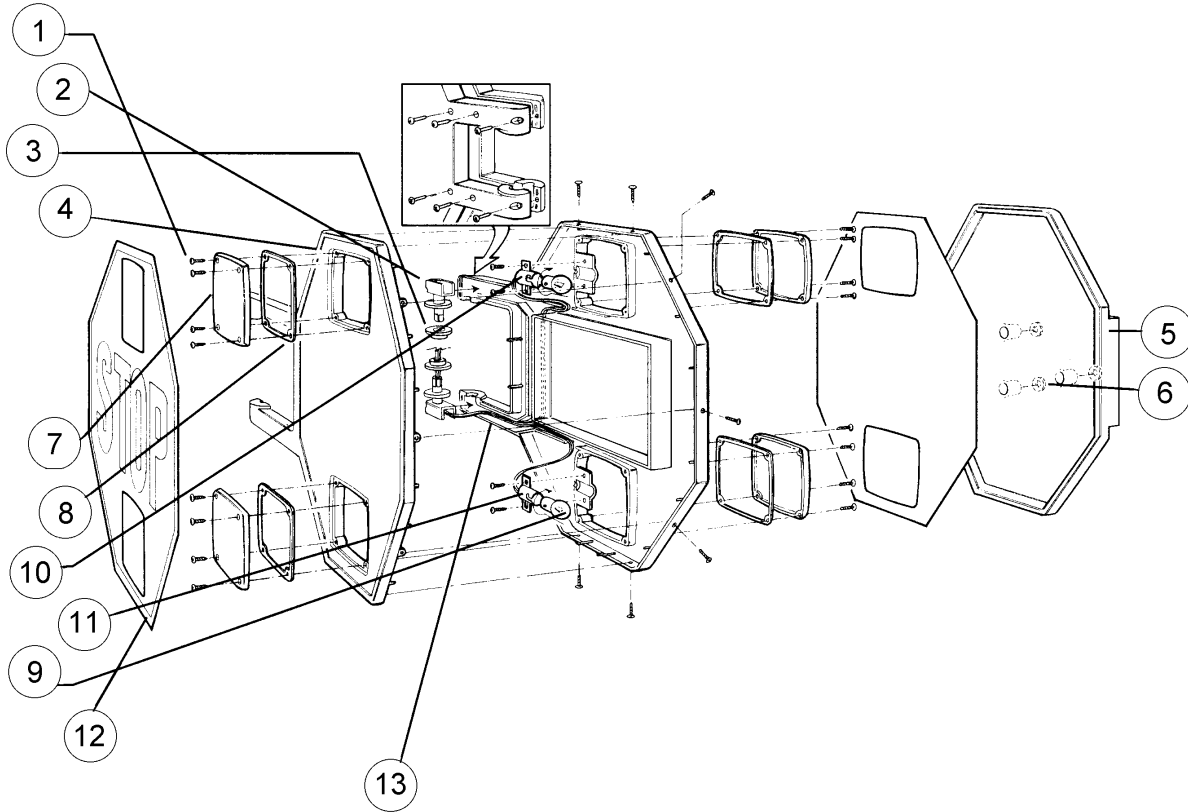


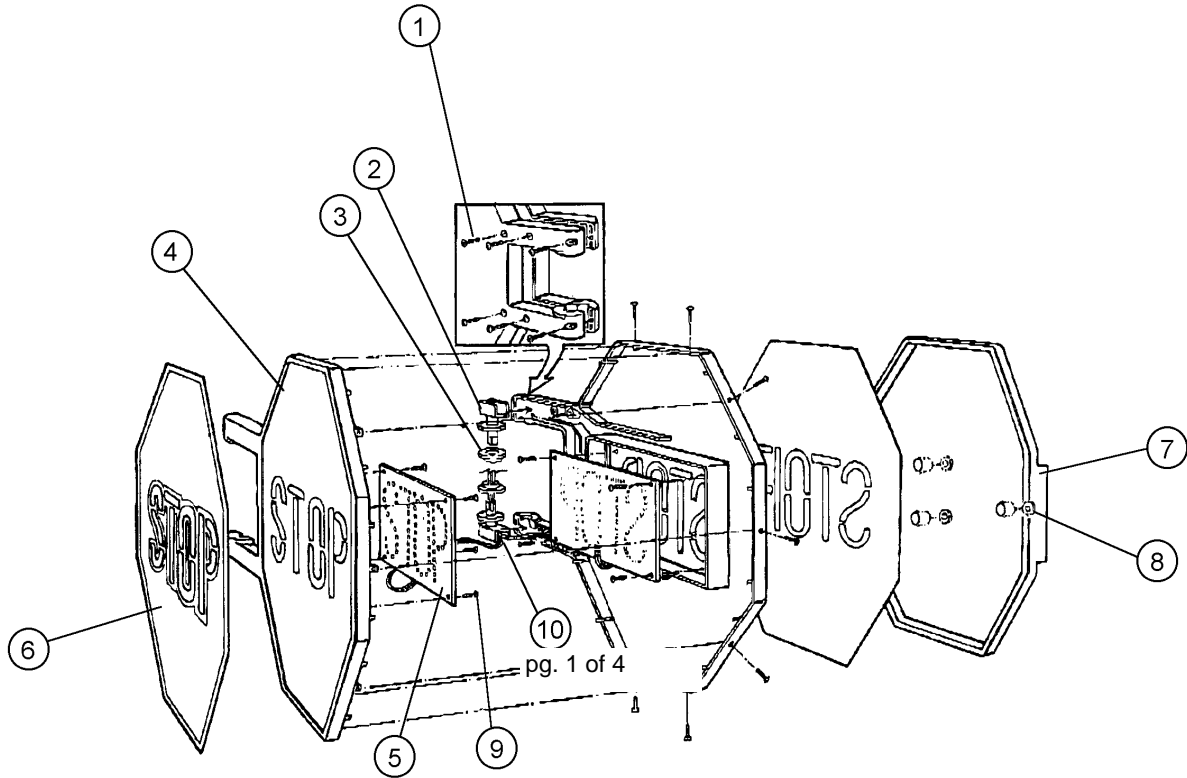
Transpec Stop Arm Assembly



Item No.	Part No.	Qty.	Description
	65007487	1	Stop - Arm, Electric, Front
	65007756	1	Stop - Arm, Assembly, Rear
	85650977	1	Stop - Arm, Blade, Front, Diamond Grade
1	85651077	24	Screws - Special
2	85651078	2	Arm - Drive
3	85651079	2	Bushing - Bronze
4	85651787	1	Blade - Assembly, 2-Light
	85651788	1	Blade - Assembly, 2-Light, Diamond Grade
5	85651086	2	Bezel - Trim
6	85651087	1	Gasket - Trim, Bezel
7	85651789	4	Lens
8	85651790	4	Gasket
9	85651791	2	Bulbs
10	85651792	1	Socket - Bulb
11	85651793	1	Socket - Bulb (Short)
12	85651794	2	Decal
	85651795	2	Decal, Diamond Grade
13	85651108	1	Harness - Assembly, Light Wire

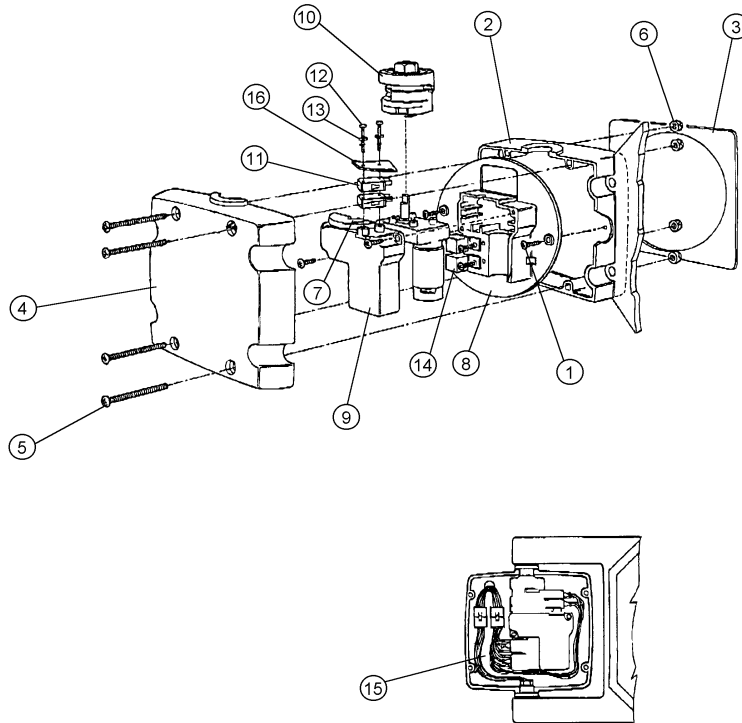
STOP SIGN

Transpec L.E.D. Stop Arm Assembly



Item No.	Part No.	Qty.	Description	Notes
	65007236	1	Arm - Stop, 18" Blank W/ L.E.D., Assembly, Front Mount	B2942-71-E31
	65007390	1	Arm - Stop, 18" Blank W/ L.E.D., Assembly, Rear Mount	B2947-71-E31
1	85651077	AR	Screw - Special	
2	85651078	2	Drive - Arm	
3	85651079	3	Bushing - Bronze	
4	85651110	1	Blade - Assembly, L.E.D.	
	85651111	1	Blade - Assembly, L.E.D., Front (Blank) (Used on assembly 65007390.)	
5	85651083	2	Board - Circuit	
6	85651084	2	Decal - Diamond Grade (English)	
	85651085	1	Decal - Red (Blank) (Used on assembly 65007390.)	
7	85651086	1	Guard - Wind	
8	85651087	1	Gasket - Wind Guard	
9	85651088	AR	Screw - Circuit Board	
10	85651108	1	Harness - Assembly, Light Wire	

Drive Mechanism



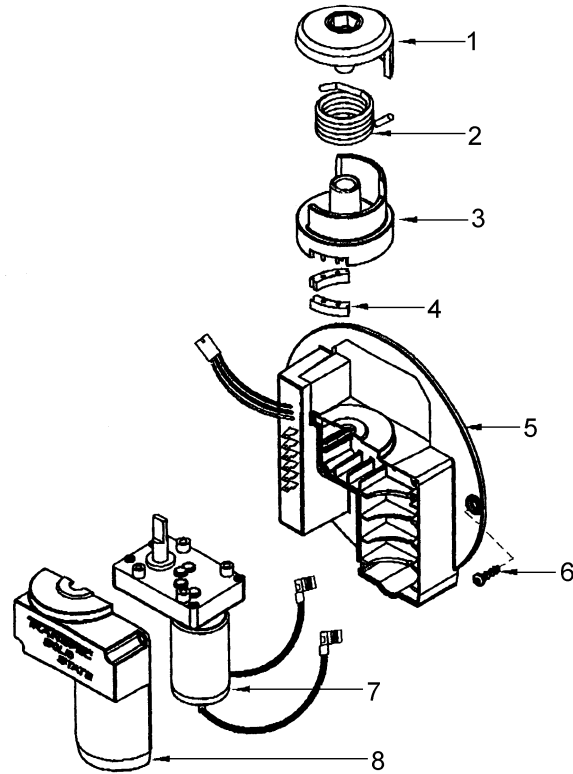
Item No.	Part No.	Qty.	Description
1	85651077	AR	Screw - Special
2	85651089	1	Base - Mechanism
3	85651090	1	Gasket - Base Mechanism
4	85651091	1	Cover - Mechanism Base
5	85651092	4	Screw - Cover, Motor Mechanism
6	85651093	4	Nut - Lock, Motor Mechanism Base
7	85651094	1	Drive - Motor
8	85651095	1	Cradle - Motor
9	85651096	1	Cover - Cradle, Motor
10	85651796	1	Clutch - Assembly
11	85651098	2	Switch - Micro
12	85651099	2	Screw - Machine
13	85651100	2	Washer - Lock
14	85651101	2	Relay - Electrical
15	85651102	1	Harness - Wire, Drive
16	85651109	1	Plate - Cover, Switch

Not Shown:

85651797		Motor - Cradle, Assembly
----------	--	--------------------------

Drive Mechanism may be used W/ Assemblies 65007487, 65007756, 85650977, 65007236 & 65007390

Drive Mechanism - Transpec (W/ New Clutch)



Used on 65007236

Item No.	Part No.	Qty.	Description
1	SMA 4071	1	Driver
2	SMA 4092	1	Spring - Coil Clutch
3	SMA 4101	1	Clutch
4	SMA 4105	2	Magnet - Clutch
5	SMA 4051	1	Motor Cradle - Bottom
6	SMA 2100-B	4	Screw, Black
7	SMA 4040	1	Motor - Drive
8	SMA 4061	1	Motor Cradle - Cover