

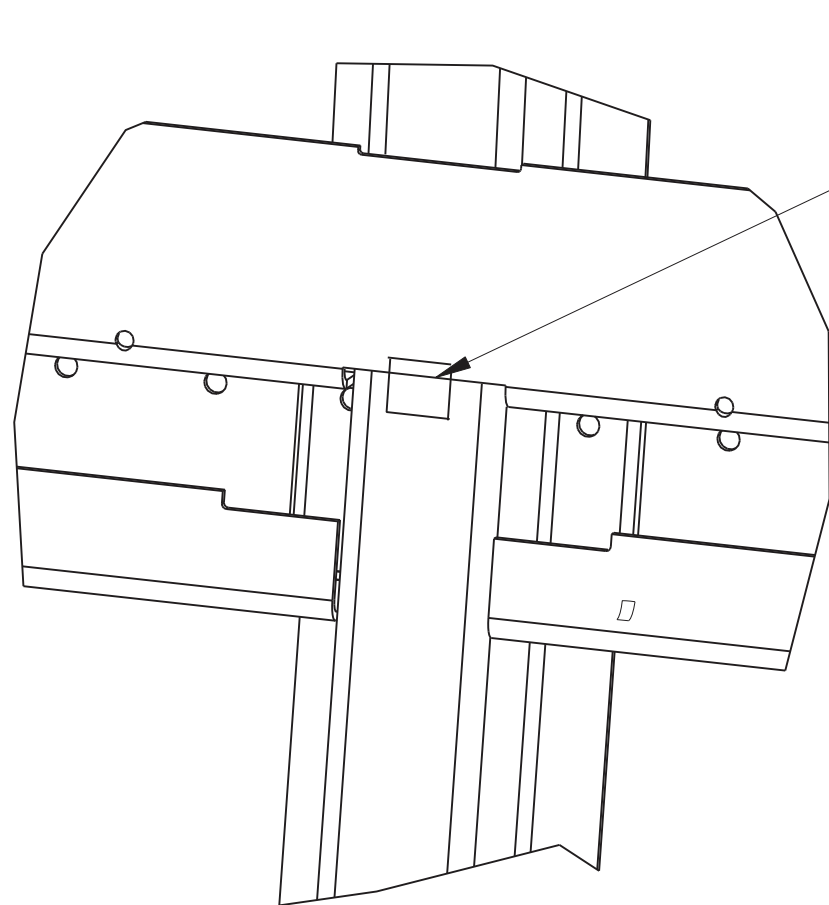
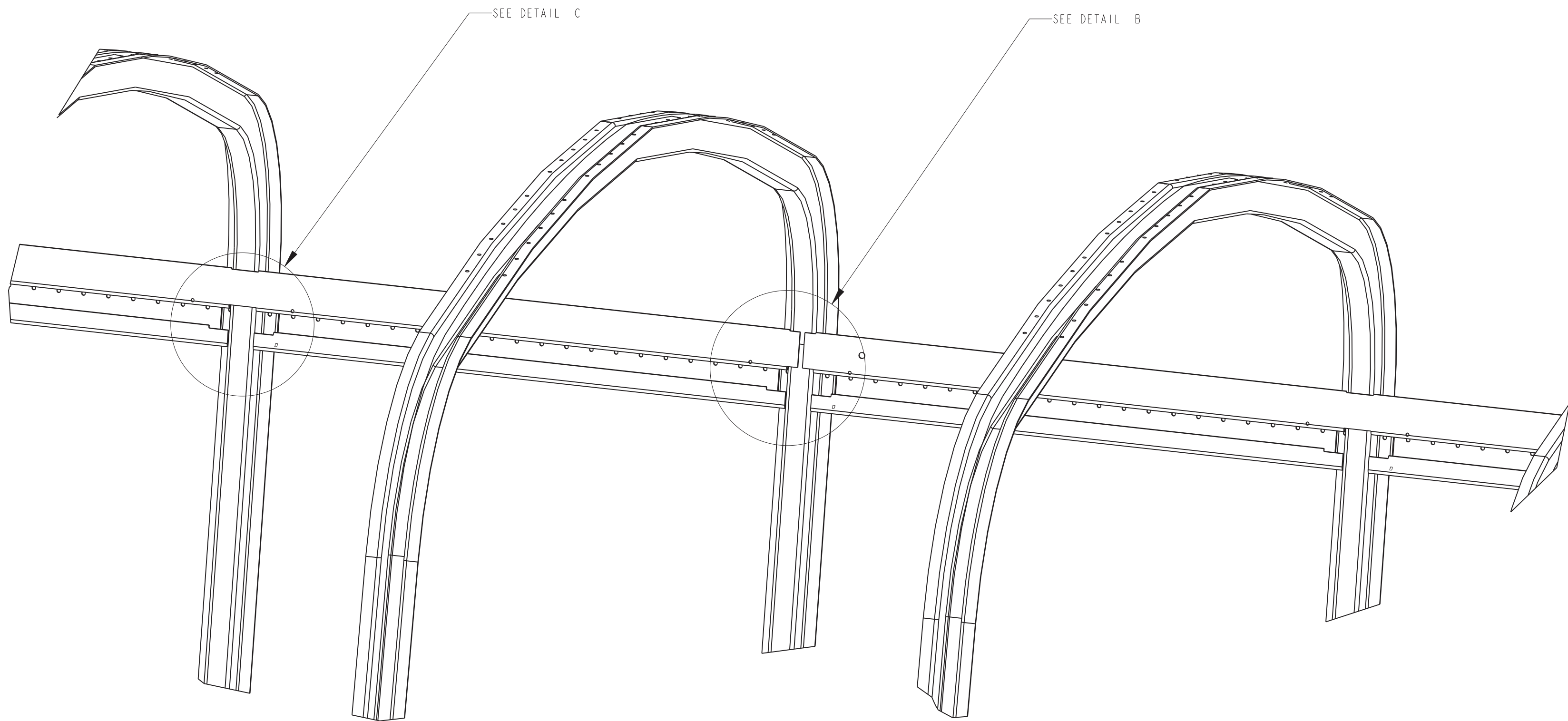
- NOTES:
- 1) MATERIAL: N/A
 - 2) BLANK: N/A
 - 3) CALCULATED WEIGHT: N/A
 - 4) BURRS: N/A
 - 5) FINISH: NONE
 - 6) COLOR: N/A
 - 7) BENDS: N/A
 - 8) WELDS: SEE SYMBOLS
 - 9) REFERENCE: N/A

SEE DETAIL A

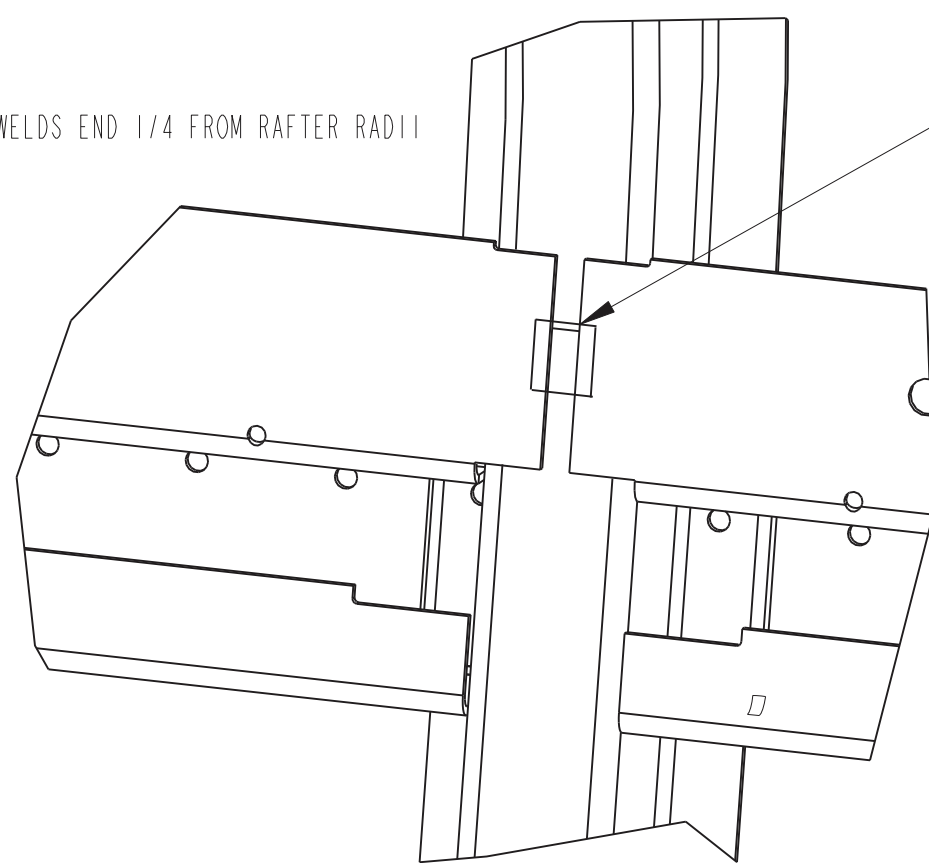
DETAIL A
SCALE 3/8

DO NOT WELD ON
THESE FLANGES!

B		LOWERED .25 FOR EASE OF INSTALLATION.			
				02/11/02	JTZ
				6867-32	JTZ
LET	REVISION	DATE	BY	CF	
THOMAS BUILT BUSES, INC. HIGH POINT, NC WOODSTOCK, CANADA					
TOLERANCE UNLESS OTHERWISE NOTED					
THIRD ANGLE PROJECTION	DECIMAL .xxx .015 .xx .06 .x .1	FRACTIONAL ±1/32	ANGULAR ±1°		
HEADLINER SUPPORT ANGLE INSTALLATION 78 HR					
DRN.01/12/01	JTZ	MATERIAL: SEE NOTE #1			PRO-E
CK'D01/12/01	JTZ	SIZE	DWG. NO. SHEET 1 OF 3		
ENGR/DESIGNER	JTZ	C	(58002109SV)		
27/320					



DETAIL C
SCALE 5/8

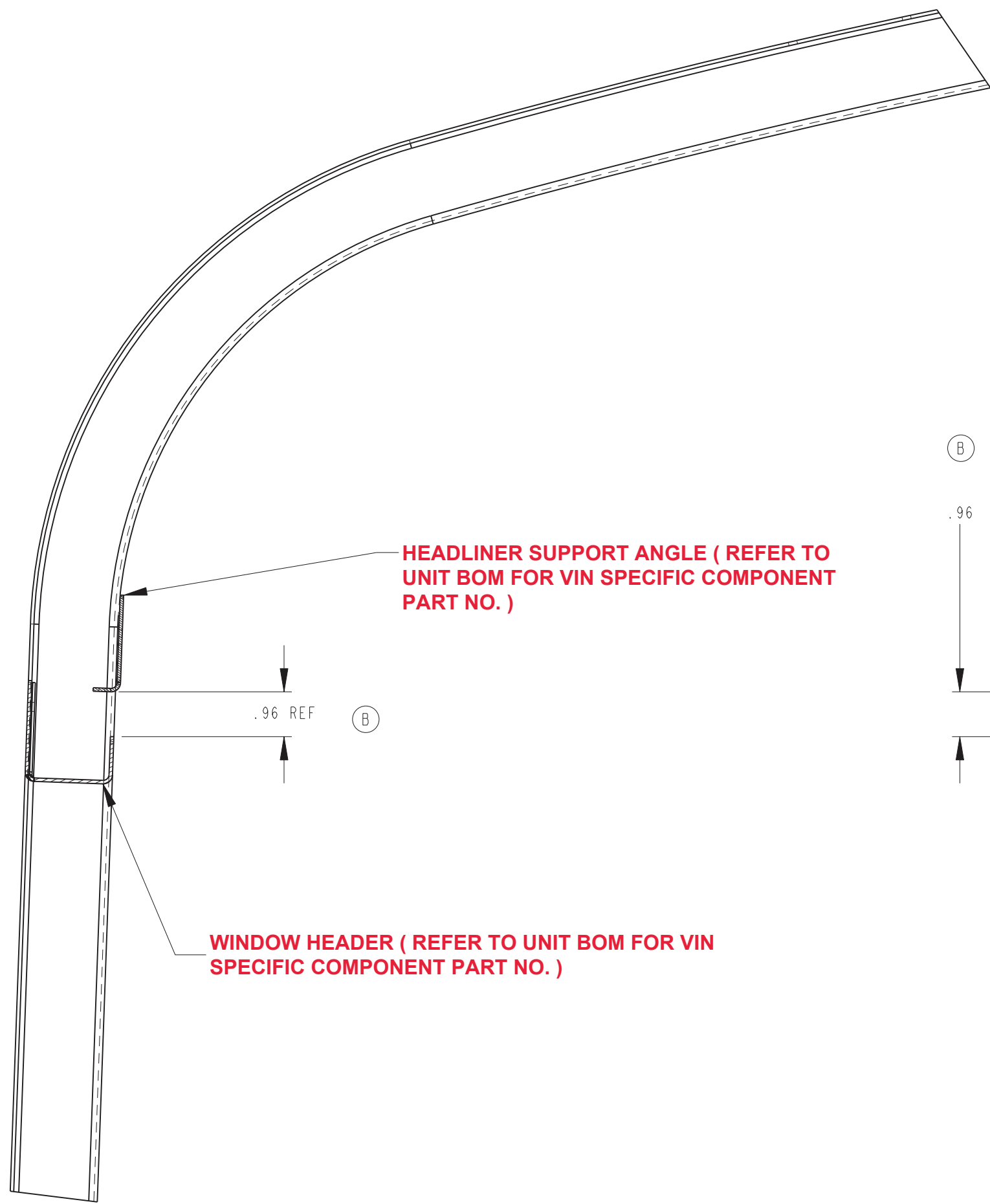


DETAIL B
SCALE 5/8

B	LOWERED .25 FOR EASE OF INSTALLATION.	02/11/02	JTZ	MIG
		6867-32	JTZ	
LET	REVISION	DATE	BY	CF

THOMAS BUILT BUSES, INC. HIGH POINT, NC WOODSTOCK, CANADA			
TOLERANCE UNLESS OTHERWISE NOTED			
THIRD ANGLE PROJECTION 	DECIMAL .XXX .015 .XX .06 .X .1	FRACTIONAL ±1/32	ANGULAR ±1°
HEADLINER SUPPORT ANGLE INSTALLATION 78 HR			
DRN. 01/12/01	JTZ	MATERIAL: SEE NOTE #1	PRO-E
CK'D 01/12/01	JTZ	SIZE C	DWG. NO. SHEET 2 OF 3 (58002109SV)
ENGR/DESIGNER	JTZ	7732	

THIS DRAWING AND ALL INFORMATION PROVIDED WITH IT, IS THE PROPERTY OF THOMAS BUILT BUSES, INC. ANY REPRODUCTION OR DISTRIBUTION OF THIS MATERIAL OR ANY PART WITHOUT WRITTEN PERMISSION OF THOMAS BUILT BUSES, INC. IS STRICTLY PROHIBITED. COPYRIGHT © 1997 THOMAS BUILT BUSES, INC.

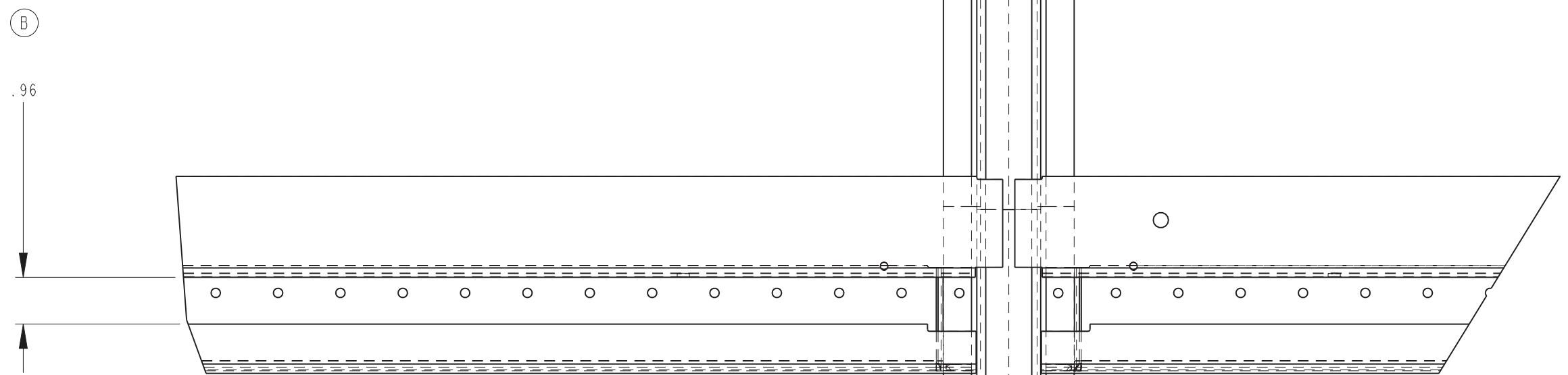


HEADLINER SUPPORT ANGLE (REFER TO UNIT BOM FOR VIN SPECIFIC COMPONENT PART NO.)

WINDOW HEADER (REFER TO UNIT BOM FOR VIN SPECIFIC COMPONENT PART NO.)

.96 REF

SECTION B-B



SECTION A-A
SCALE 3/8

B	LOWERED .25 FOR EASE OF INSTALLATION.			
		02/11/02	JTZ	MIG
LET	REVISION	DATE	BY	CF
		6867-32	JTZ	

THOMAS BUILT BUSES, INC.			
HIGH POINT, NC		WOODSTOCK, CANADA	
TOLERANCE UNLESS OTHERWISE NOTED			
THIRD ANGLE PROJECTION	DECIMAL .XXX .015 .XX .06 .X .1	FRACTIONAL ±1/32	ANGULAR ±1°
HEADLINER SUPPORT ANGLE INSTALLATION 78 HR			
DRN. 01/12/01	JTZ	MATERIAL: SEE NOTE #1	PRO-E
CK'D 01/12/01	JTZ	SIZE	DWG. NO. SHEET 3 OF 3
ENGR/DESIGNER	JTZ	C	(58002109SV)
		31/160	

THIS DRAWING AND ALL INFORMATION PROVIDED WITH IT, IS THE PROPERTY OF THOMAS BUILT BUSES, INC. ANY REPRODUCTION OR DISTRIBUTION OF THIS MATERIAL OR ANY PART WITHOUT WRITTEN PERMISSION OF THOMAS BUILT BUSES, INC. IS STRICTLY PROHIBITED. COPYRIGHT © 1997 THOMAS BUILT BUSES, INC.